

Thermometer

type 55 stainless steel
radial stem

E 10.01.01

Ed.24.01

Design	Thermometer in stainless steel with radial stem in stainless steel 1.4571
Design	EN 13190
Case diameter	Dim 63, 100 eller 160 mm
Accuracy Class	1,0% acc.to DIN EN 13190
Type	5502 = case dim 100 mm 5503 = case dim 160 mm 5526 = case dim 63 mm
Case	Stainless steel with bayonet type bezel Option with liquid filled case (max 0+250°C) Option with liquid filled case (Food compatible)
Glass	Instrumentglass Option with laminated safety glass, clear non-splintering plastic
Dial	White dial of aluminium with unit Celsius °C Option dial with unit °F or unit °C+F
Temperature element	Coiled bimetal
Working temperature	90% of range by permanent measuring 100% by short time measuring
Weather protection	IP 65 acc.to EN 60529 Option with IP 66 or IP 67
Location of stem	Radial stem
Stem	Stem of stainless steel 1.4571 dim Ø 6, 8, 10 or 12 mm
Length of stem	Stem length from 50 mm to max 1000 mm See type 73 for longer stem > 1000 mm
Connection	Male thread, compression fitting, male nut or female nut G1/2", G3/4", M18x1,5, 1/2"NPT or 3/4"NPT
Working pressure	Max pressure rating without thermowell = 25 bar
Ambient temperature	Max -40+70°C Option with lower temperature range -50°C or -70°C
Electrical device	Electrical kontakt see datasheet E10.03.06 or E10.03.07
Thermowell	Fabricated or solid machined thermowell as accessorie. See page 4.
Certificate	Certificate EN 10204 as option Test report material EN 10204-2.2 Test certificate EN 10204-3.1 with 3 measuring points Material certificate EN 10204-3.1 (only for separate thermowell)
Optional extras	Option with Ex acc.to ATEX protection Cat 2G and 2D



Thermometer 5502
with male thread



Thermometer 5502/4
with compression fitting

Thermometer

type 55 stainless steel
radial stem

E 10.01.01

Design and connections



Male thread

Type 5502 = case dim 100 mm
Type 5503 = case dim 160 mm
Type 5526 = case dim 63 mm



Plain stem without thread

Type 5502/1 = case dim 100 mm
Type 5503/1 = case dim 160 mm
Type 5526/1 = case dim 63 mm



Compression fitting

Type 5502/4 = case dim 100 mm
Type 5503/4 = case dim 160 mm
Type 5526/4 = case dim 63 mm



Male nut

Type 5502/2 = case dim 100 mm
Type 5503/2 = case dim 160 mm
Type 5526/2 = case dim 63 mm



Female nut

Type 5502/3 = case dim 100 mm
Type 5503/3 = case dim 160 mm
Type 5526/3 = case dim 63 mm

Thermometer

type 55 stainless steel

radial stem

E 10.01.01

Scale range

Scale range	Measuring range	Scale space
-70 + 70°C	-50 + 50°C	70 divisions
-70 + 30°C	-60 + 20°C	100 divisions
-50 + 50°C	-40 + 40°C	100 divisions
-50 + 100°C	-30 + 80°C	75 divisions
-50 + 300°C	0 + 250°C	70 divisions
-50 + 500°C	0 + 450°C	60 divisions
-40 + 60°C	-30 + 50°C	100 divisions
-40 + 80°C	-20 + 60°C	60 divisions
-40 + 160°C	-20 + 140°C	100 divisions
-30 + 50°C	-20 + 40°C	80 divisions
-30 + 70°C	-20 + 60°C	100 divisions
-20 + 60°C	-10 + 50°C	80 divisions
-20 + 80°C	-10 + 70°C	100 divisions
-20 + 100°C	0 + 80°C	60 divisions
-20 + 120°C	0 + 100°C	70 divisions
-20 + 140°C	0 + 120°C	80 divisions
-10 + 50°C	0 + 40°C	60 divisions
0 + 60°C	+10 + 50°C	60 divisions
0 + 80°C	+10 + 70°C	80 divisions
0 + 100°C	+10 + 90°C	100 divisions
0 + 120°C	+10 + 100°C	60 divisions
0 + 150°C	+20 + 130°C	75 divisions
0 + 160°C	+20 + 140°C	80 divisions
0 + 200°C	+20 + 180°C	100 divisions
0 + 250°C	+30 + 220°C	50 divisions
0 + 300°C	+30 + 270°C	60 divisions
0 + 400°C	+50 + 350°C	80 divisions
0 + 500°C	+50 + 450°C	100 divisions
0 + 600°C	+100 + 500°C	60 divisions

Thermometer

type 55 stainless steel
radial stem

E 10.01.01

Thermowell

Thermowell TW50-H

Solid machined in stainless steel 1.4571. Working pressure max 150 bar.
Process connection G1/2", G3/4", 1/2"NPT or 3/4"NPT male
Female G1/2" for thermometer
Inside dim \varnothing 7, 9 or 10,6 mm for thermometer with immersion tube \varnothing 6, 8 or 10 mm
Insertion lengths U1 from 50 mm to 500 mm
U1 + 18-20 mm = Immersion L1- for thermometer
Thermowell with U1-100 mm is suitable for thermometer with L1-120 mm
[Datasheet E11.01.01](#)



Thermowell TW45-F

Fabricated in stainless steel 1.4571. Working pressure max 25 bar.
Process connection G1/2", G3/4" or 1/2"NPT male, female G1/2" for thermometer
Inside dim \varnothing 6,2 mm, \varnothing 8,2 mm or \varnothing 10,2 mm
for thermometer with immersion tube \varnothing 6, 8 or 10 mm
Insertion lengths U1- 32, 82, 132, 142, 182, 282 or 382 mm
U1 + 18 mm = Immersion L1- for thermometer
Thermowell with U1-82 mm is suitable for thermometer with L1-100 mm
[Datasheet E11.01.03](#)



Thermowell TW15-H

Solid machined in stainless steel 1.4571. Working pressure max 150 bar.
Special tapered design for process industry
Process connection male 1/2"NPT, 3/4"NPT or 1"NPT
Inside dim \varnothing 6,6 mm, \varnothing 8,6 mm or \varnothing 10,6 mm
Insertion lengths U1 = from 40 to 300 mm
U1 + (H) 45 mm - 10 mm = immersion length L1-for thermometer
Thermowell with U1-100 mm is suitable for thermometer with compression fitting
with immersion length L1-135 mm
[Datasheet E11.01.02](#)



Weld-in thermowell

Weld-in thermowell, solid machined acc.to DIN 43772 Form 4 for high process loads
Steel 1.0460 (C.22.8) DIN 17243, Stainless steel 1.4571 (SS2350) EN 10272
or 1.7335 (13CrMo44) DIN 17243
Female connection M18x1,5 for thermometer.
Inside dim \varnothing 7 mm for immersion tube \varnothing 6 mm
Material certificate EN 10204-3.1 with chemical analysis
Permanent marking with charge number and material designation
Thermometer with immersion tube L1-130x6 mm för weld-in thermowell type D 1
Thermometer with immersion tube L1-195x6 mm för weld-in thermowell type D 2 and D 4
Thermometer with immersion tube L1-255x6 mm för weld-in thermowell type D 5
[Datasheet E11.03.01](#)



Thermowell with flange connection

Thermowell with flange connection acc.to DIN, EN or ASME
DIN 1092 or EN 1092 from DN 25 to DN 100
ASME B16,5 from DN 1" to DN 2"
Pressure rating PN 16 to PN 100
Immersion length U = 100, 160, 250, 300, 400 or 500 mm
for thermometer with immersion tube \varnothing 6, 8 or 10 mm
Standard material stainless steel 1.4571
Special material as Duplex, Hastelloy, Monel, Tantal, Titan
Female G1/2" or 1/2"NPT for thermometer
Material certificate EN 10204-3.1 with chemical analysis
[Datasheet E11.05.02](#)



Thermometer

type 55 stainless steel

radial stem

E 10.01.01

Standard products thermometer 5502

Thermometer 5502 with radial stem and male thread G1/2"

Stem Ø 8 or 10 mm in stainless steel 1.4571

Scale range	Length L1	Connection	Code
-50 + 50°C	120 x 10 mm	G1/2	55024912
0 + 60°C	120 x 10 mm	G1/2	55020112
	65 x 10 mm	G1/2	55020207
	100 x 10 mm	G1/2	55020210
	120 x 10 mm	G1/2	55020212
	300 x 10 mm	G1/2	55020221
0 + 80°C	65 x 10 mm	G1/2	55020307
0 + 100°C	120 x 8 mm	G1/2	55020332
	120 x 10 mm	G1/2	55020312
0 + 120°C	65 x 10 mm	G1/2	55020407
	85 x 10 mm	G1/2	55020409
	120 x 8 mm	G1/2	55028412
	120 x 10 mm	G1/2	55020412
	200 x 10 mm	G1/2	55020418
	250 x 10 mm	G1/2	55020419
	300 x 10 mm	G1/2	55020421
0 + 160°C	65 x 10 mm	G1/2	55020707
	120 x 10 mm	G1/2	55020712
0 + 200°C	65 x 10 mm	G1/2	55020807
	120 x 10 mm	G1/2	55020812
	200 x 10 mm	G1/2	55020818
	300 x 10 mm	G1/2	55020821
0 + 300°C	120 x 10 mm	G1/2	55021512
	200 x 10 mm	G1/2	55021518
	300 x 10 mm	G1/2	55021521
0 + 400°C	300 x 10 mm	G1/2	55021721
0 + 600°C	100 x 10 mm	G1/2	55021910
	300 x 10 mm	G1/2	55021918



Thermometer

type 55 stainless steel

radial stem

E 10.01.01

Standard products thermometer 5502/4

Thermometer 5502/4 with radial stem and compression fitting

Stem Ø 6, 8 or 10 mm in stainless steel 1.4571

Scale range	Length L1	Connection	Code
-30 + 50°C	130 x 6 mm	M18x1,5	55024626
	195 x 6 mm	M18x1,5	55024628
	255 x 6 mm	M18x1,5	55024630
-20 + 60°C	130 x 6 mm	M18x1,5	55024826
	195 x 6 mm	M18x1,5	55024828
	255 x 6 mm	M18x1,5	55024830
0 + 60°C	120 x 10 mm	G1/2	55024212
	200 x 10 mm	G1/2	55020238
	130 x 6 mm	M18x1,5	55020228
	195 x 6 mm	M18x1,5	55020226
	255 x 6 mm	M18x1,5	55020230
0 + 80°C	126 x 8 mm	G1/2	55020345
	130 x 6 mm	M18x1,5	55020326
	195 x 6 mm	M18x1,5	55020328
	255 x 6 mm	M18x1,5	55020330
0 + 100°C	130 x 6 mm	M18x1,5	55021326
	195 x 6 mm	M18x1,5	55021328
	255 x 6 mm	M18x1,5	55021330
	250 x 10 mm	1/2"NPT	55020349
	285 x 6 mm	1/2"NPT	55023320
0 + 120°C	65 x 10 mm	G1/2	55023307
	100 x 10 mm	G1/2	55023312
	160 x 10 mm	G1/2	55023314
	130 x 6 mm	M18x1,5	55020426
	195 x 6 mm	M18x1,5	55020428
	255 x 6 mm	M18x1,5	55020430
0 + 160°C	130 x 6 mm	M18x1,5	55020726
	195 x 6 mm	M18x1,5	55020728
	255 x 6 mm	M18x1,5	55020730



Thermometer

type 55 stainless steel

radial stem

E 10.01.01

Standard products thermometer 5502/4

Thermometer 5502/4 with radial stem and compression fitting

Stem Ø 6, 8 or 10 mm in stainless steel 1.4571

Scale range	Length L1	Connection	Code
0 + 200°C	255 x 6 mm	G1/2	55020832
	130 x 6 mm	M18x1,5	55020826
	195 x 6 mm	M18x1,5	55020828
	255 x 6 mm	M18x1,5	55020830
0 + 250°C	130 x 6 mm	M18x1,5	55021026
	195 x 6 mm	M18x1,5	55021028
	255 x 6 mm	M18x1,5	55021030
0 + 300°C	130 x 6 mm	M18x1,5	55021526
	195 x 6 mm	M18x1,5	55021528
	255 x 6 mm	M18x1,5	55021530
0 + 400°C	130 x 6 mm	M18x1,5	55021726
	195 x 6 mm	M18x1,5	55021728
	255 x 6 mm	M18x1,5	55021730
0 + 500°C	130 x 6 mm	M18x1,5	55021926
	195 x 6 mm	M18x1,5	55021928
	255 x 6 mm	M18x1,5	55021930
0 + 600°C	130 x 6 mm	M18x1,5	55022026
	195 x 6 mm	M18x1,5	55022028
	255 x 6 mm	M18x1,5	55022030



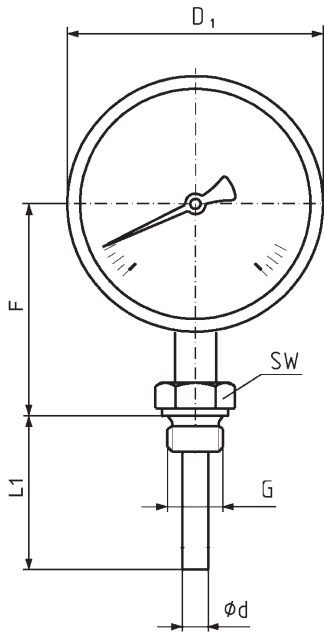
Thermometer

type 55 stainless steel
radial stem

E 10.01.01

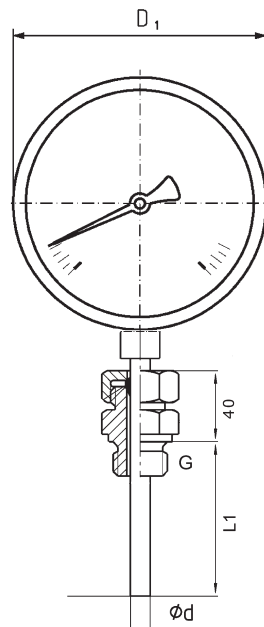
Male thread

Type 5502 = case dim 100 mm
Type 5503 = case dim 160 mm
Type 5526 = case dim 63 mm



Compression fitting

Type 5502/4 = case dim 100 mm
Type 5503/4 = case dim 160 mm
Type 5526/4 = case dim 63 mm



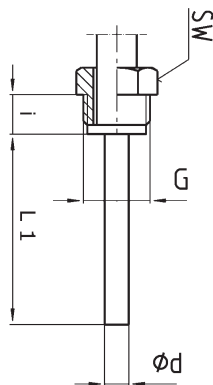
Type	Case	d	D1	F	G	SW
5502	100	6, 8, 10 or 12	101	83	G1/2", G3/4", 1/2"NPT or 3/4"NPT	27
5503	160	6, 8, 10 or 12	161	113	G1/2", G3/4", 1/2"NPT or 3/4"NPT	27
5526	63	6, 8, 10 or 12	64	57	G1/2", G3/4", 1/2"NPT or 3/4"NPT	27

Immersion length L1

L1 = immersion length

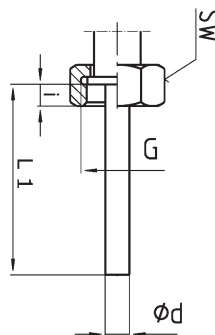
Male nut

Type 5502/2 = case dim 100 mm
Type 5503/2 = case dim 160 mm
Type 5526/2 = case dim 63 mm
G = G1/2", G3/4" or M18x1,5



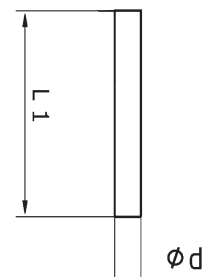
Female nut

Type 5502/3 = case dim 100 mm
Type 5503/3 = case dim 160 mm
Type 5526/3 = case dim 63 mm
G = G1/2", G3/4" or M18x1,5



Plain stem without thread

Type 5502/1 = case dim 100 mm
Type 5503/1 = case dim 160 mm
Type 5526/1 = case dim 63 mm



Immersion length L1

L1 = immersion length, d = 6, 8, 10 or 12 mm